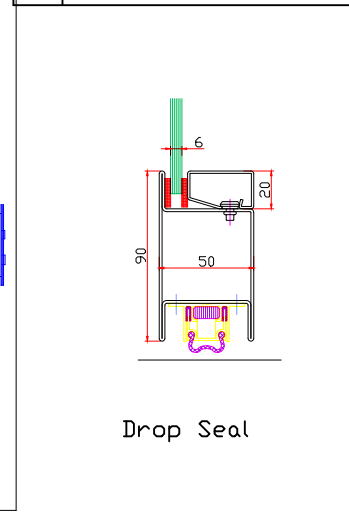


Pull side view Double Door

Pull side view Single Door

Push side view Single Door

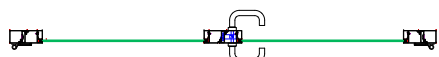
REVISIONS			
REV	DESCRIPTION	DATE	APPROVED
A	Example SG20	04/06/2014	-



Drop Seal

NOTES

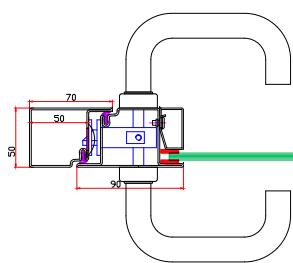
This example shows Presto 50 single and double with standard lever handles, Standard hinges and Dorma closer. Standard lock with top locking rod required for fire rated doors. Drop seal required for fire rated doors. Single action.



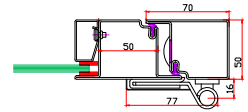
Section A-A



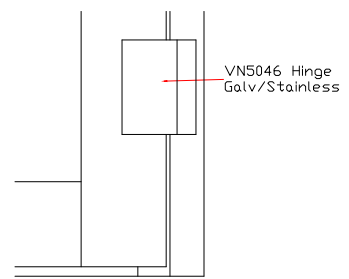
Section C-C



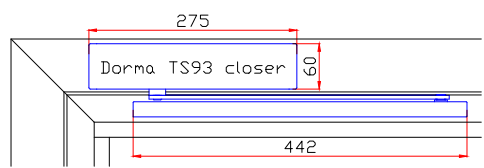
Lock Jamb



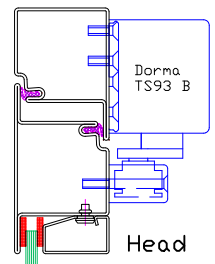
Hinge Jamb



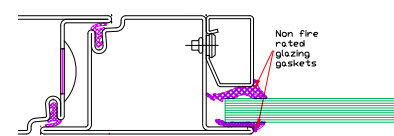
Lower hinge



Closer



Head



Non fire rated glazing

TITLE

SG20 - Presto 50-1

MATERIAL

1.5mm Profiles
Mild steel or Stainless

DWG NO.

Doorset Examples\SG20.dwg

DRAWN BY	DATE	REV
JR	04/06/2014	A

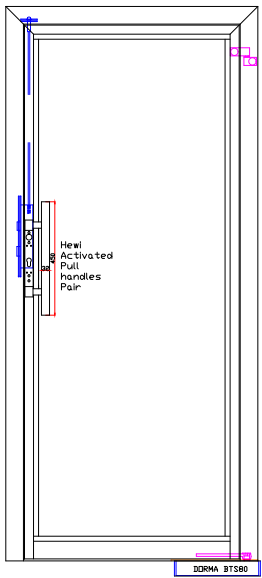
SCALE	SHEET
N.T.S	1 OF 4

DoorTechnik
SECURE DOOR SYSTEMS

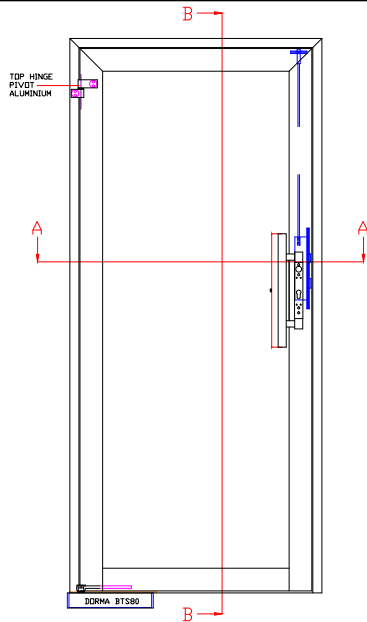
Moor Lane, Thorpe on the Hill, Lincoln, LN6 9BW
Tel 01522 693522 Fax 01522 508494
www.doortechnik.co.uk info@doortechnik.co.uk

Disclaimer:

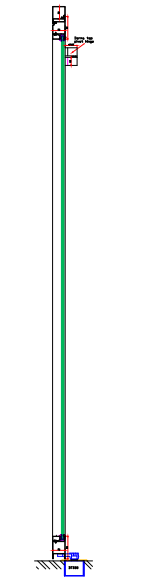
Drawing is indicative of standard model range, and features may differ for production doorsets. If particular performance criteria or features are important to your project, please call us to discuss your requirements.



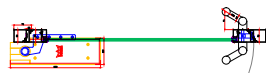
VIEW FROM PUSH SIDE



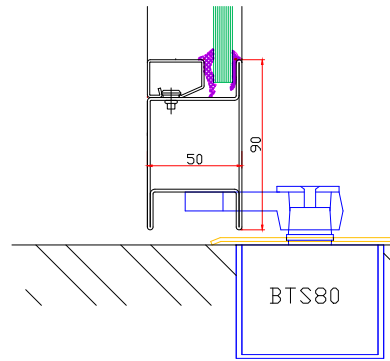
VIEW FROM PULL SIDE



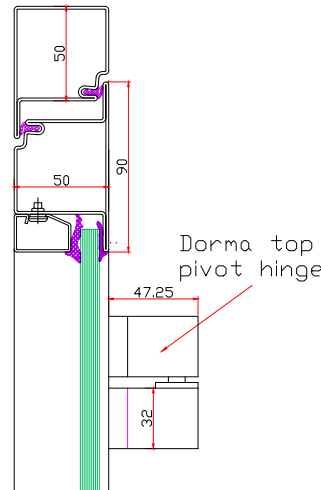
SECTION B-B



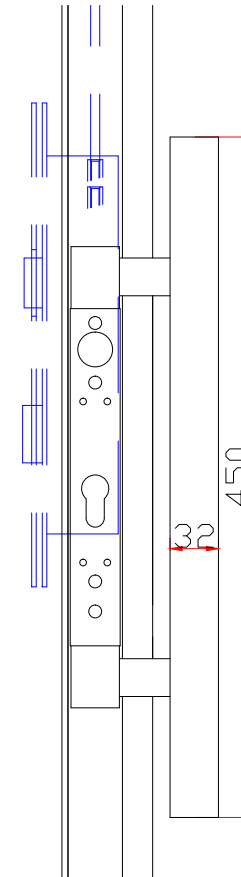
SECTION A-A



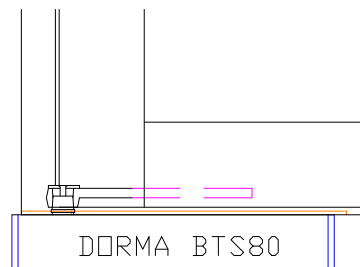
Floor Spring and strap Section



Top pivot hinge



Hewi activated handles



Floor spring front

REVISIONS			
REV		DATE	APPROVED
A	Example SG20	04/06/2014	-

NOTES

This example shows Presto 50 single with Hewi activated handles, Offset floor spring closer positioned on pull side of door.
Standard lock with top locking rod required for fire rated doors.
Drop seals can not be used with floor springs.
Single action.

TITLE

SG20 - Presto 50-2

MATERIAL

1.5mm Profiles

Mild steel or Stainless

DWG NO.

Doorset Examples\SG20.dwg

DRAWN BY

JR

DATE

04/06/2014

REV

A

SCALE

N.T.S

SHEET

2 OF 4

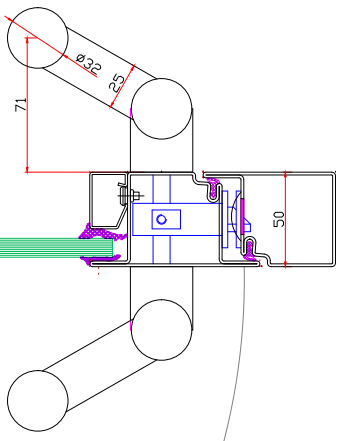


DoorTechnik
SECURE DOOR SYSTEMS

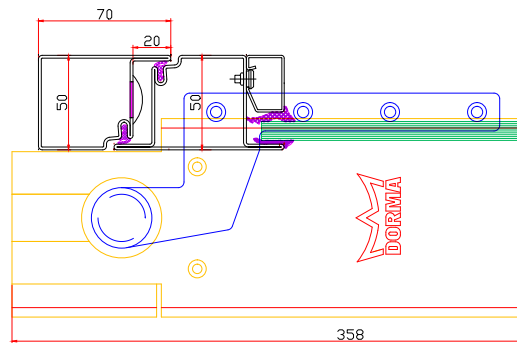
Moor Lane, Thorpe on the Hill, Lincoln, LN6 9BW
Tel 01522 693522 Fax 01522 508494
www.doortech.co.uk info@doortech.co.uk

Disclaimer:

Drawing is indicative of standard model range, and features may differ for production doorsets. If particular performance criteria or features are important to your project, please call us to discuss your requirements.

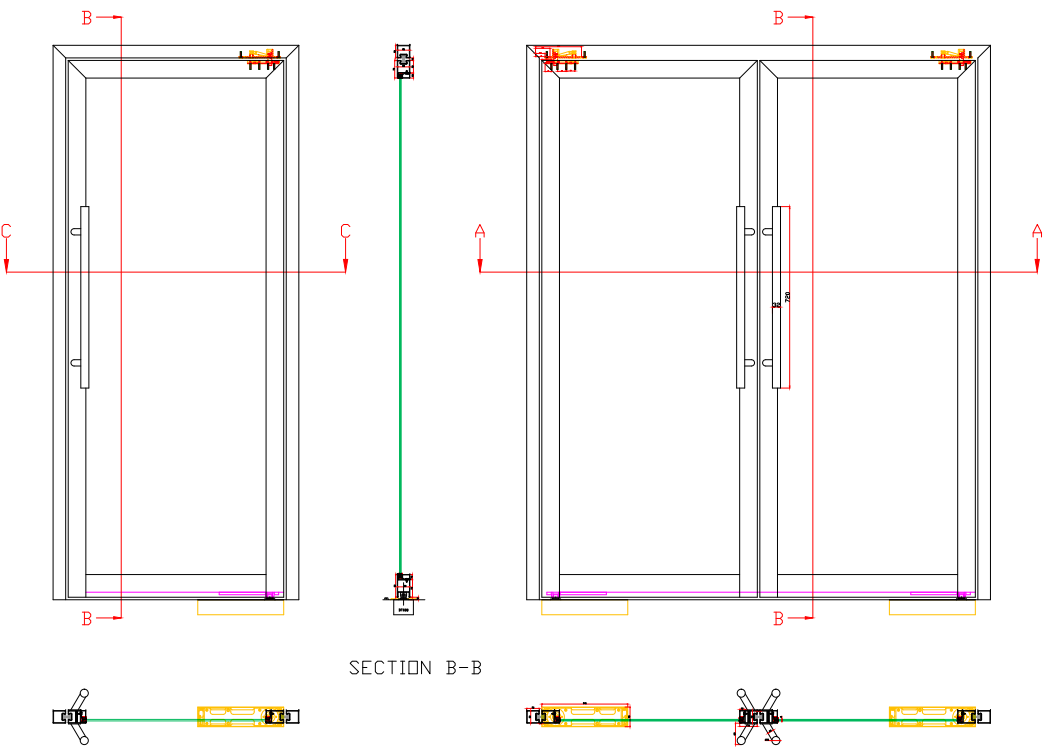


Lock Jamb



Hinge Jamb

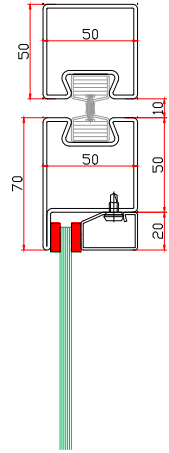
REVISIONS			
REV		DATE	APPROVED
A	Example SG20	04/06/2014	-



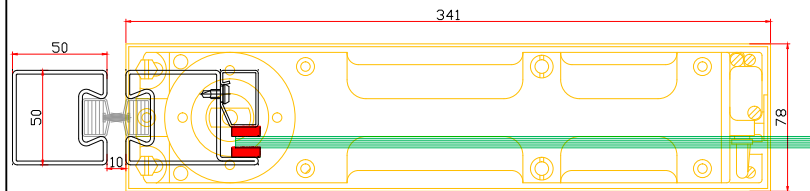
SECTION B-B

SECTION C-C

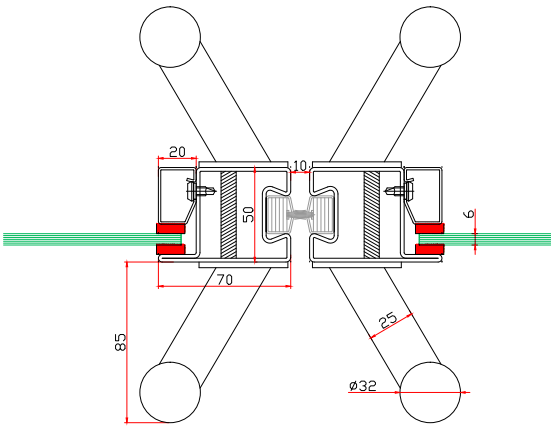
SECTION A-A



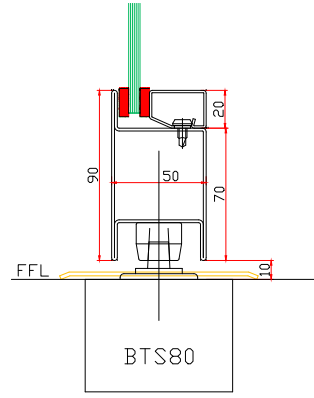
Head



Pivot Jamb



Meeting Stile



Floor spring

NOTES

This example shows Norm DAD single and double, Floor spring closer positioned central. Double action fire rated. Powder coated mild steel only. Cranked pull handles shown various handles shown.

TITLE

SG20 - Norm DAD

MATERIAL

1.5mm Profiles
Mild steel

DWG NO.

Doorset Examples\SG20.dwg

DRAWN BY

JR

DATE

04/06/2014

REV

A

SCALE

N.T.S

SHEET

3 OF 4

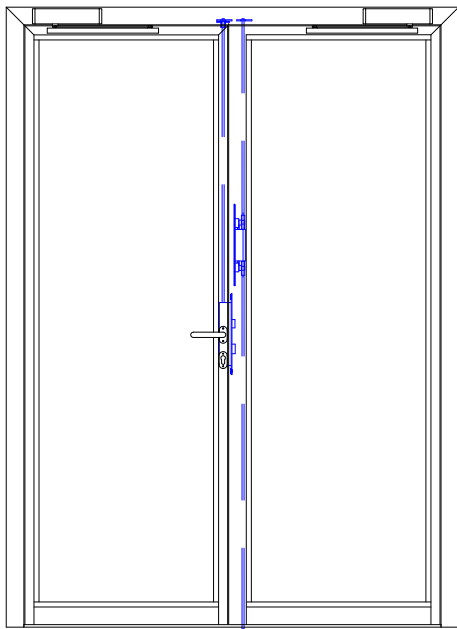


Doortech
SECURE DOOR SYSTEMS

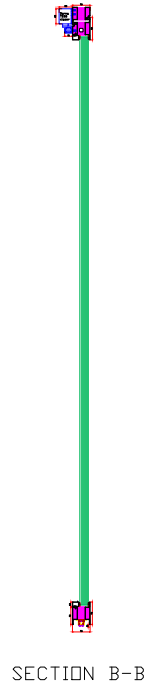
Moor Lane, Thorpe on the Hill, Lincoln, LN6 9BW
Tel 01522 693522 Fax 01522 508494
www.doortech.co.uk info@doortech.co.uk

Disclaimer:

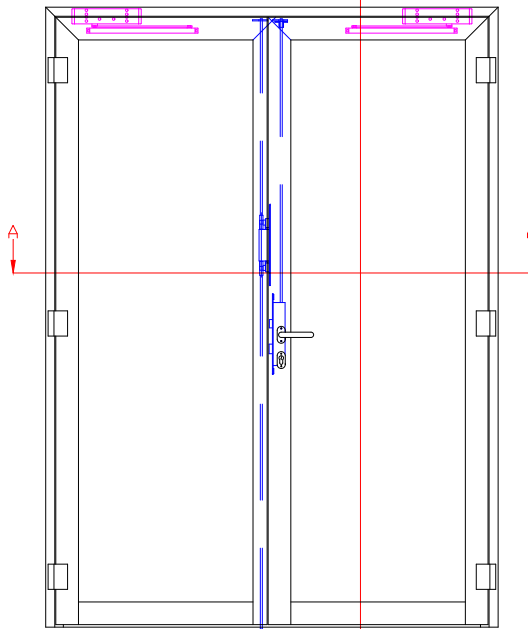
Drawing is indicative of standard model range, and features may differ for production doorsets. If particular performance criteria or features are important to your project, please call us to discuss your requirements.



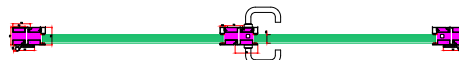
VIEW FROM PUSH SIDE



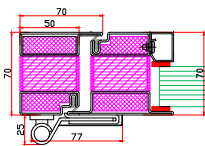
SECTION B-B



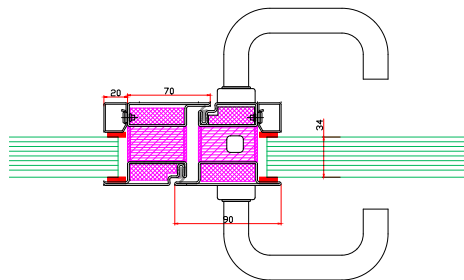
VIEW FROM PULL SIDE



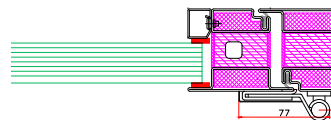
SECTION A-A



Hinge Jamb

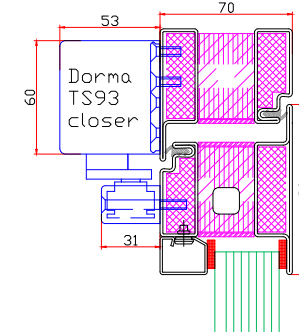


Meeting Stile

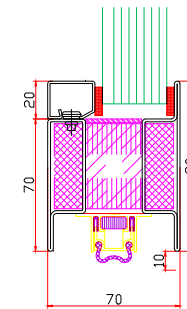


Hinge Jamb

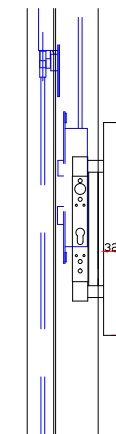
REVISIONS			
REV		DATE	APPROVED
A	Example SG20	04/06/2014	-



Head



Drop Seal



Optional Hewi pull handles

NOTES

This example shows Fuego Light EI90 double, Standard hinges and Dorma TS93 closer. Powder coated mild steel only. Cranked pull handles shown various handles available.

TITLE

SG20 - Fuego Light EI90

MATERIAL

1.5mm Profiles
Mild steel

DWG NO.

Doorset Examples\SG20.dwg

DRAWN BY

JR

DATE

04/06/2014

REV

A

SCALE

N.T.S

SHEET

4 OF 4



DoorTechnik
SECURE DOOR SYSTEMS

Moor Lane, Thorpe on the Hill, Lincoln, LN6 9BW
Tel 01522 693522 Fax 01522 508494
www.doortechnik.co.uk info@doortechnik.co.uk

Disclaimer:

Drawing is indicative of standard model range, and features may differ for production doorsets. If particular performance criteria or features are important to your project, please call us to discuss your requirements.