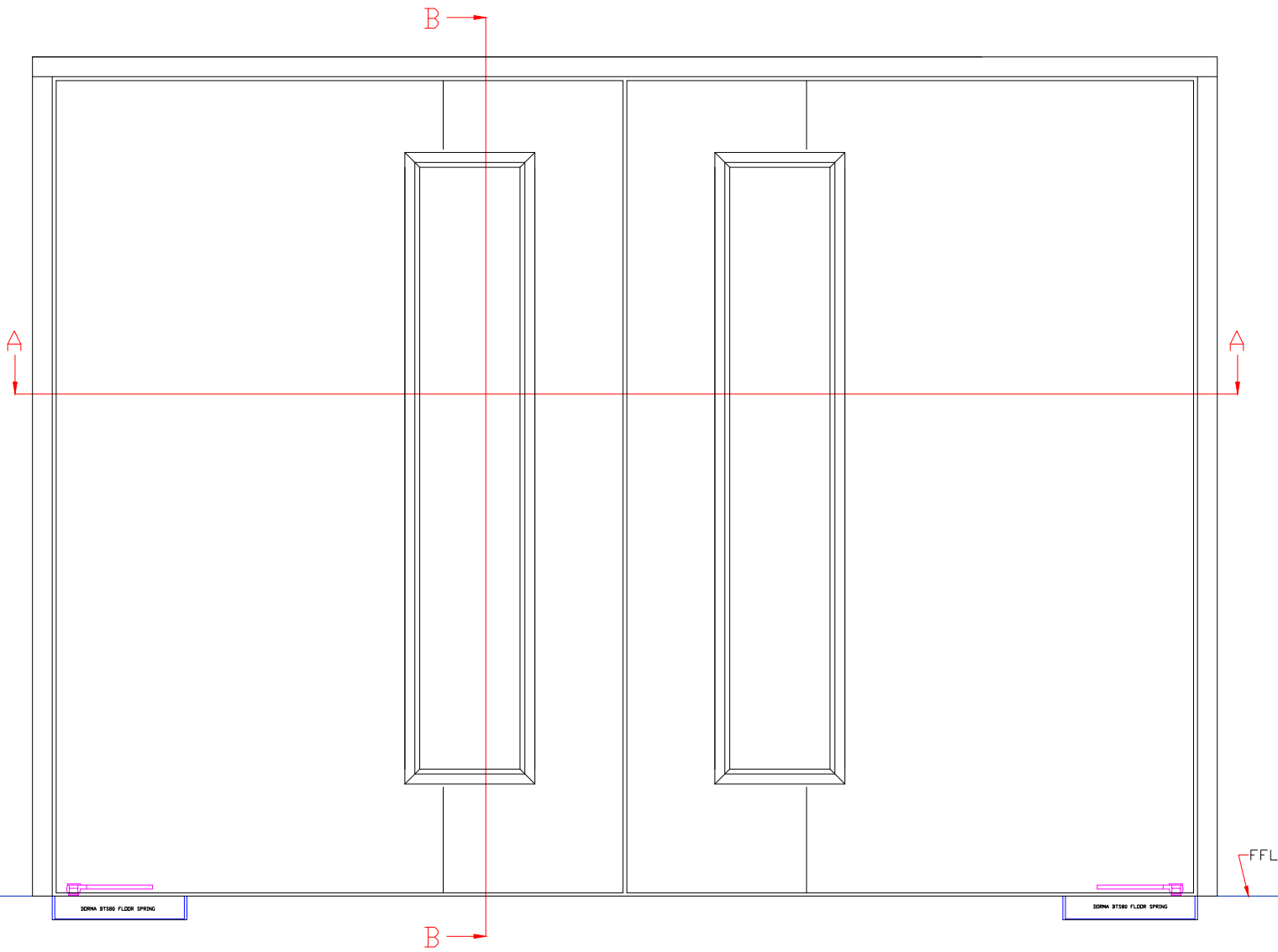
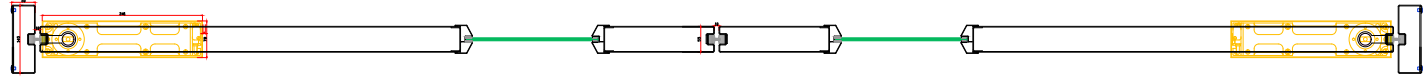


REVISIONS			
REV	DESCRIPTION	DATE	APPROVED
A	Example WS15	04/06/2014	-



Section B-B



Section A-A

NOTES

- WS15 Double doorset.
- Double action.
- Fire Rated.
- On floor springs with vision panels.

TITLE

WS15 doorset.

MATERIAL 1.5mm Powder Coated Material

DWG NO.  
Doorset Examples\WS15.dwg

DRAWN BY	DATE	REV
JR	04/06/2014	A

SCALE	SHEET
N.T.S	1 OF 3

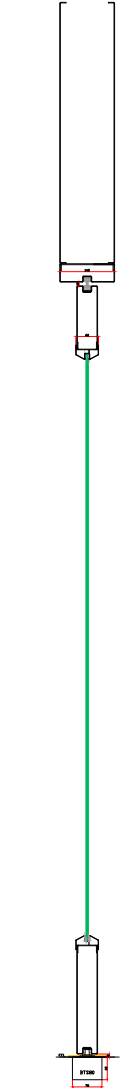
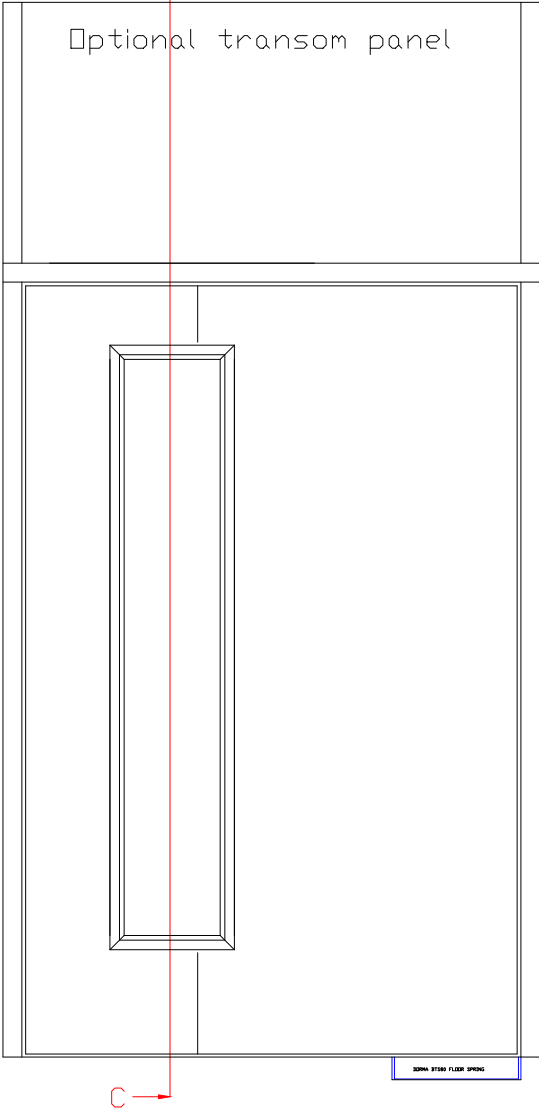
**DoorTechnik**  
SECURE DOOR SYSTEMS

Moor Lane, Thorpe on the Hill, Lincoln, LN6 9BW  
Tel 01522 693522 Fax 01522 508494  
www.doortech.co.uk info@doortech.co.uk

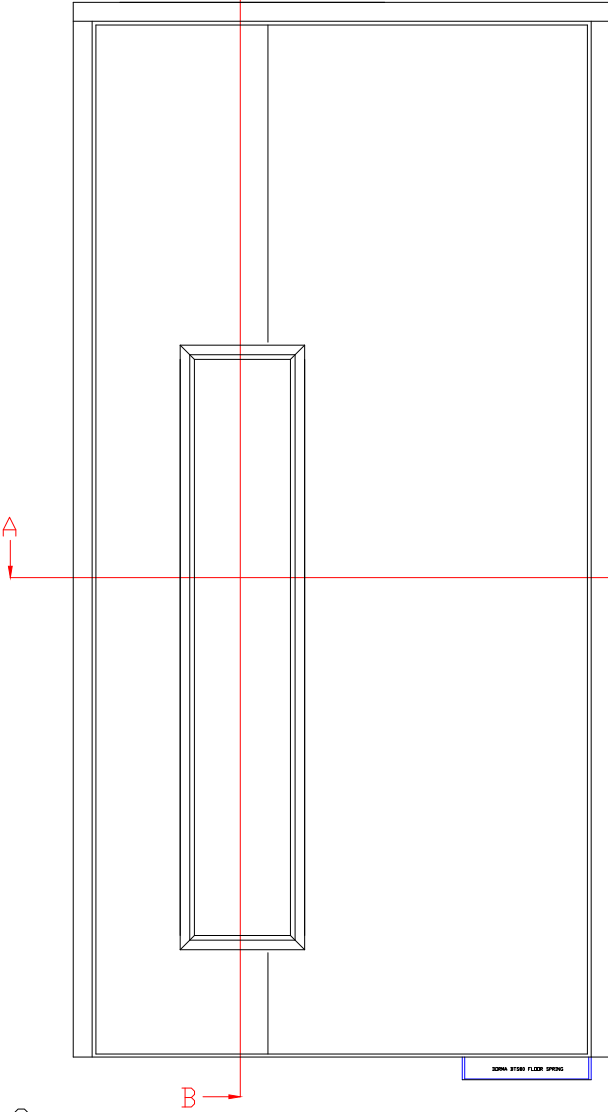
Disclaimer:

Drawing is indicative of standard model range, and features may differ for production doorsets. If particular performance criteria or features are important to your project, please call us to discuss your requirements.

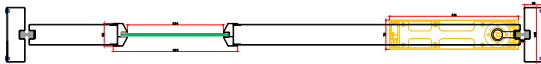
REVISIONS			
REV	DESCRIPTION	DATE	APPROVED
A	Example WS15	04/06/2014	-



Section C-C



Section B-B



Section A-A

NOTES  
 WS15 Single doorset.  
 Double action.  
 Fire Rated.  
 On floor springs with vision panels.

TITLE  
 WS15 doorset.

MATERIAL 1.5mm Powder Coated Material

DWG NO.  
 Doorset Examples\WS15.dwg

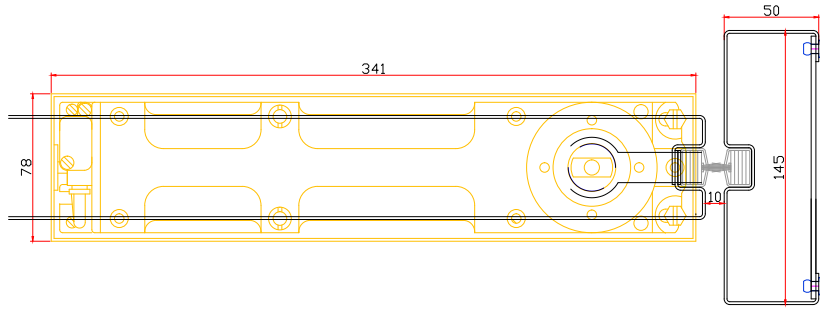
DRAWN BY	DATE	REV
JR	04/06/2014	A

SCALE	SHEET
N.T.S	2 OF 3

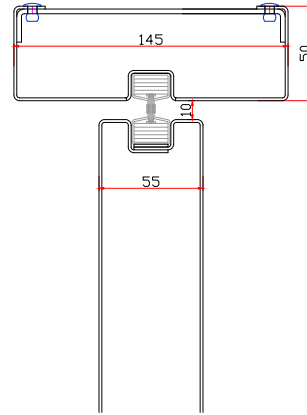
**DoorTechnik**  
 SECURE DOOR SYSTEMS

Moor Lane, Thorpe on the Hill, Lincoln, LN6 9BW  
 Tel 01522 693522 Fax 01522 508494  
 www.doortech.co.uk info@doortech.co.uk

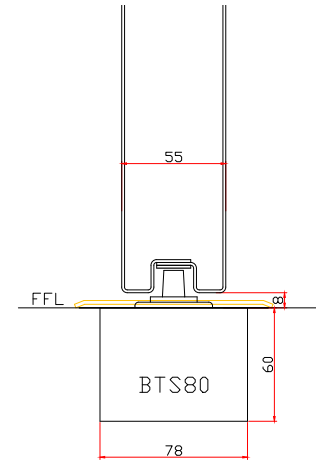
Disclaimer:  
 Drawing is indicative of standard model range, and features may differ for production doorsets. If particular performance criteria or features are important to your project, please call us to discuss your requirements.



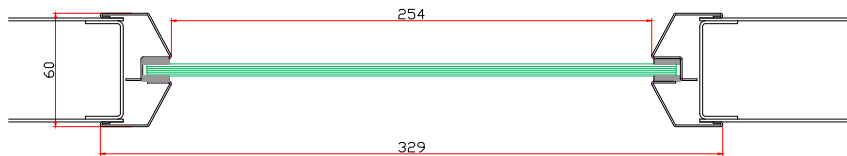
Pivot jamb showing floor spring



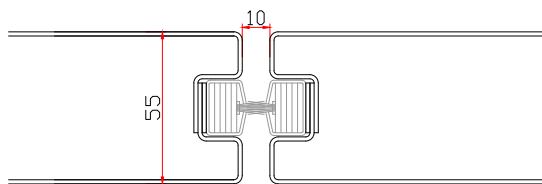
Head



Floor Spring Side



Vision panel detail



Double door meeting stile



Floor Spring Front

REVISIONS			
REV	DESCRIPTION	DATE	APPROVED
A	Example WS15	04/06/2014	-

NOTES

- WS15 Frame Details.
- Double action.
- Fire Rated.
- On floor springs with vision panels.

TITLE

WS15 doorset.

MATERIAL 1.5mm Powder Coated Material

DWG NO. Doorset Examples\WS15.dwg

DRAWN BY	DATE	REV
JR	04/06/2014	A

SCALE	SHEET
N.T.S	3 OF 3



**DoorTechnik**  
SECURE DOOR SYSTEMS

Moor Lane, Thorpe on the Hill, Lincoln, LN6 9BW  
Tel 01522 693522 Fax 01522 508494  
www.doortech.co.uk info@doortech.co.uk

Disclaimer:

Drawing is indicative of standard model range, and features may differ for production doorsets. If particular performance criteria or features are important to your project, please call us to discuss your requirements.