

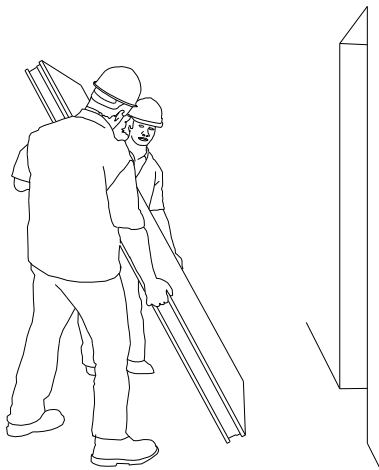
Installation Instructions

X15-2 single doorsets
fitting into concrete walls



Tel 01522 693522
www.doortechnik.co.uk

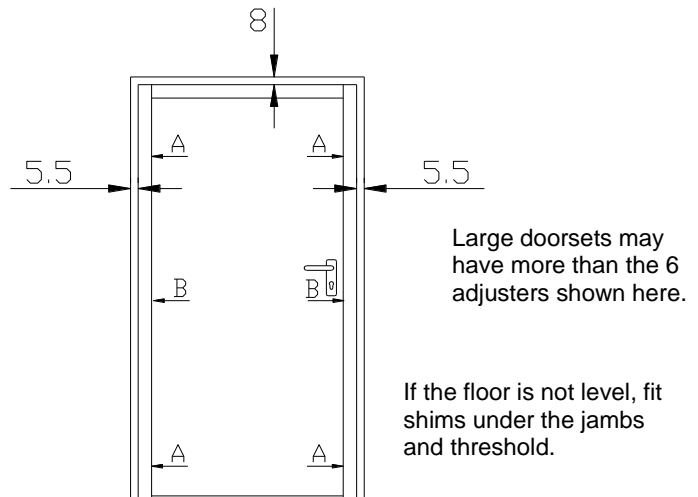
To install DoorTechnik X-series security doorsets correctly and safely, please read these instructions before starting the installation. To comply with the as-tested security certification, take particular note of the fitting clearances in Step 2, the minimum frame setbacks shown in Step 5, and the use of DoorTechnik approved frame fixings in Step 6 and Step 11.



1. Place the doorset in the opening.

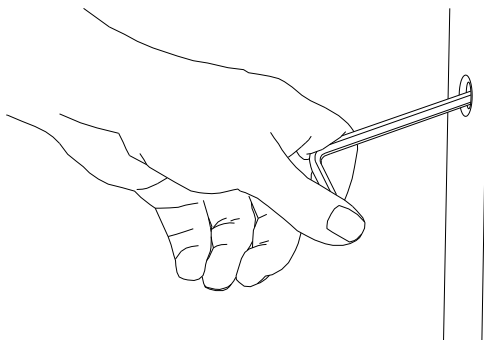
Lift by the handgrips in the frame – never by lever handles, panic bars or letterboxes etc.

Weight warning: comply with local manual handling guidelines.



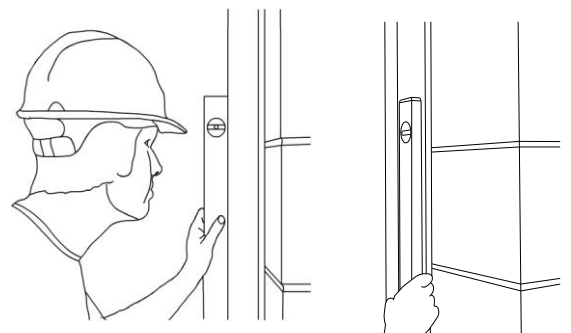
2. Align and grip the doorset in the opening, using the 5mm Allen key to the frame adjusting screws A in the corners, then the middle adjusters B.

Note the maximum fitting clearances shown above, and the frame setback shown in Step 5.



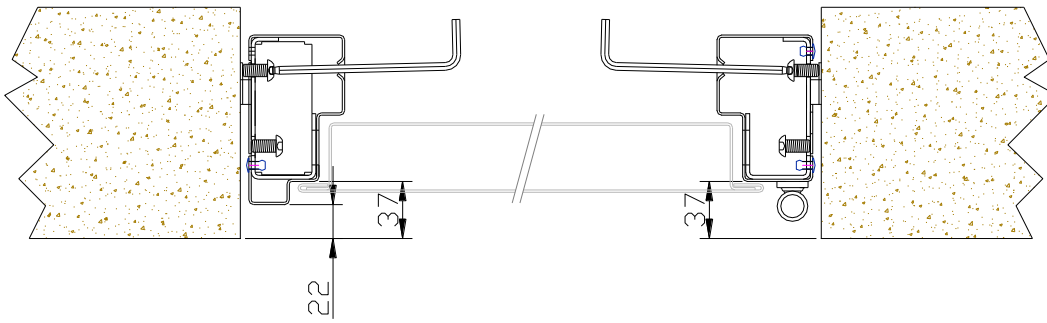
3. Tighten the frame adjusters clockwise, with a 5mm ball-ended Allen key, until the ends of the spreader plates are flat against the wall.

Access is gained through the countersunk holes in the jambs, angling the key 20° from horizontal.



4. Ensure the frame is vertical, in both planes.

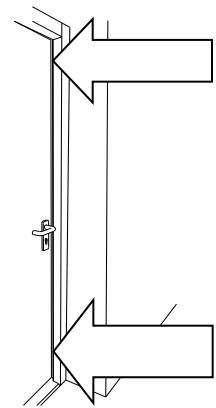
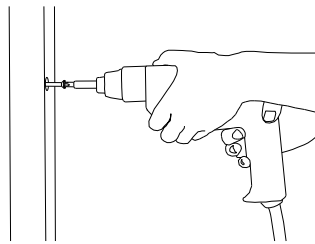
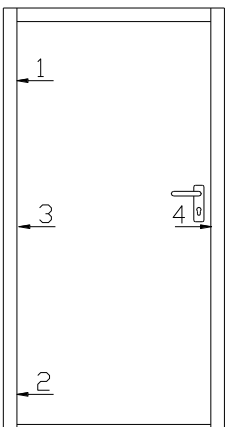
Warning: do not open the door until first fixings are in place, after step 6.



5. Set the frame back into the wall a minimum of 37mm, to avoid the fixings breaking out of the wall.

For the double rebated lock jamb, use the 22mm setback shown above, as the door leaf obscures the 37mm measurement.

Keep repeating Steps 2-5 until the doorset is true in the opening.



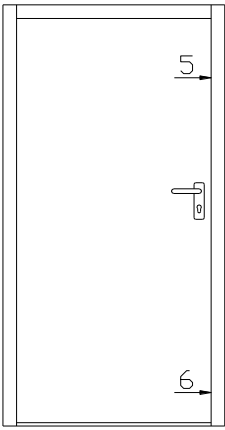
6. Using long countersunk frame fixings, first fix as shown, with 3 fixings in the hinge jamb and 1 in the lock jamb.

- For steel, use ITW Buildex TFL 100 or similar.
- For masonry, use Rawl frame fixings 8x120 or similar.

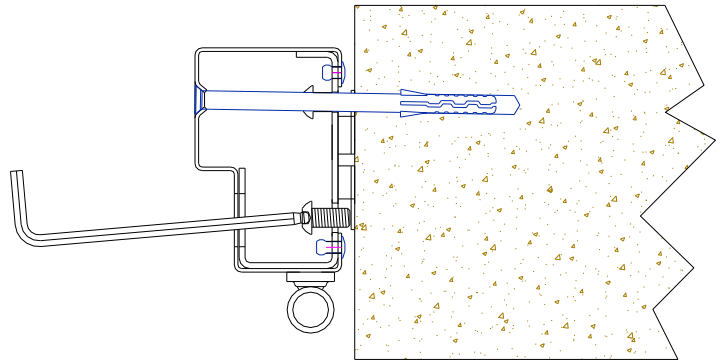
Vibration from a hammer drill can loosen the frame adjusting screws, so re-check tightness of the adjusters prior to inserting masonry fixings.

7. Open the door and discard the transit packings. With the door nearly closed, check the alignment between the lock edge of the door and the frame seal, at both the top and the bottom of the door.

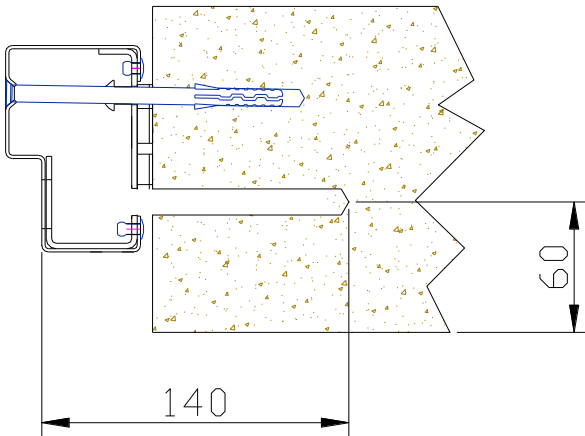
Pivot the lock jamb about the central fixing to achieve an even gap between the face of the door and the frame seal.



8. Close the door again, then fit the last 2 fixings into face 5 of the lock jamb.

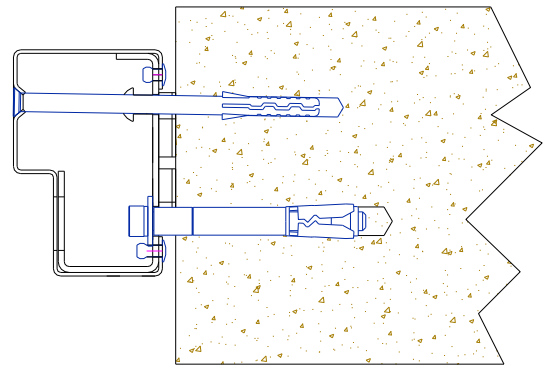


9. Open the door fully, then tighten the frame adjusters in the reveals. Using the 5mm Allen key, tighten the frame adjusters until the ends of the spreader plates are flat against the wall.



10. Drill through the access holes in the reveals with a 12mm masonry bit, to a depth of 140mm.

Vibration from a hammer drill can loosen the frame adjusting screws, so re-check tightness of the adjusters prior to inserting fixings.



11. Insert the fixing fully, so that the washer lies flat to the frame tray. Fully tighten the screw.

- For concrete, use only the DoorTechnik supplied fixings: Rawl Safety Plus II Loose Bolt SPL-II-08090/20L, fitted with M8x90 grade 12.9 cap head screw and washer.

12. Fix threshold to floor with countersunk screws

- For steel, use ITW Buildex TFL 65 or similar.
- For masonry, use Rawl frame fixings 8x60 or similar.

13. Adjust any door closers to suit the on-site requirements. Refer to separate instruction sheet for full details.

14. Check operation of all locking mechanisms.

15. Apply mastic or flashings to seal frame to building.

16. Seal threshold to floor to avoid water ingress.