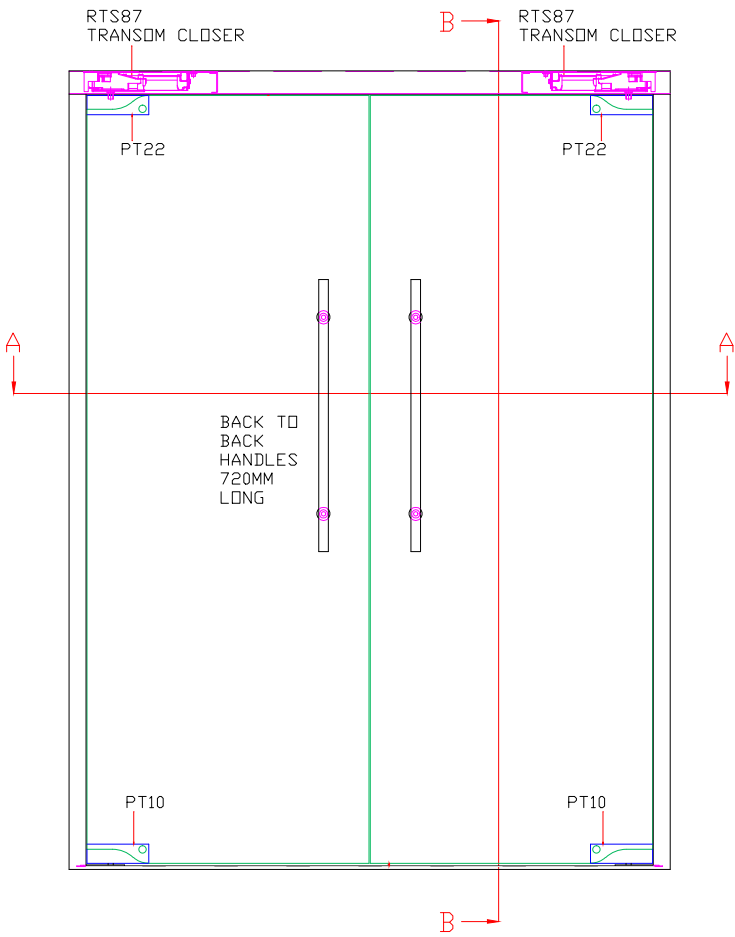
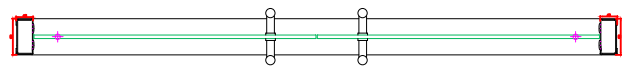


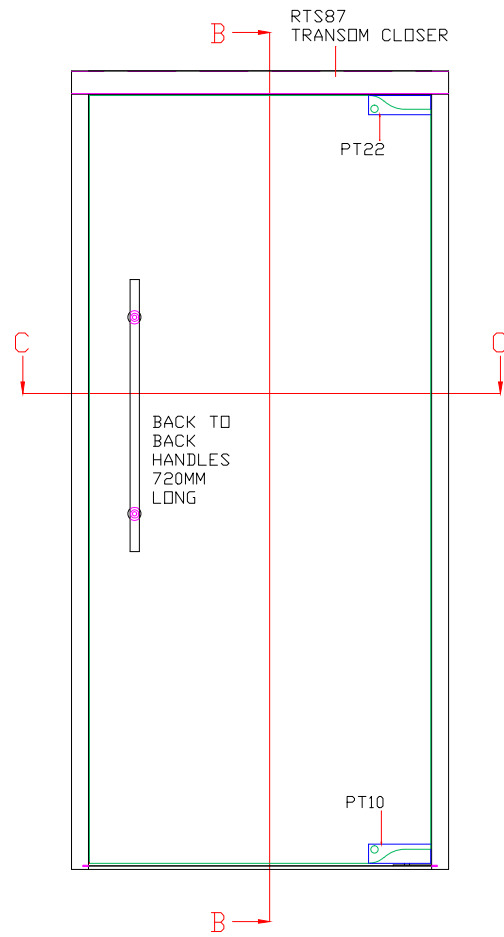
REVISIONS			
REV	DESCRIPTION	DATE	APPROVED
A	Original	15/06/10	PM



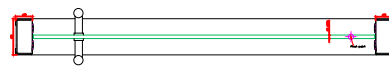
Pull side view
Double Door



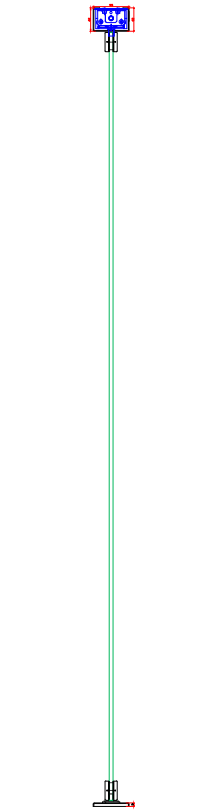
Section A-A



Pull side view
Single Door



Section C-C



Section B-B

NOTES

This example shows Patches and transom closer
 Frame is standard 95mm.
 Glass 10mm or 12mm thick
 Various handles available

TITLE

GL15 - Example single and double.

MATERIAL

Frame - 1.5mm Material

DWG NO.

Doorset Examples\GL15.dwg

DRAWN BY

PaulM

DATE

15/06/2010

REV

A

SCALE

1:20 @A4

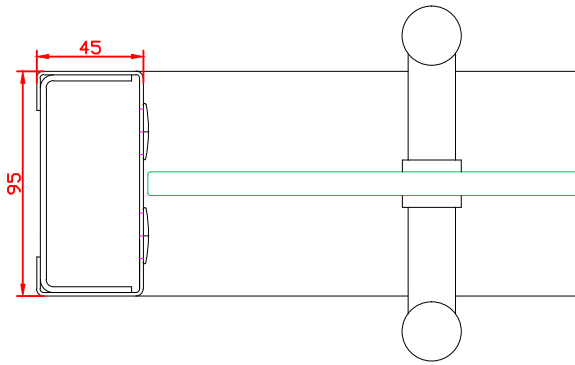
SHEET

1 OF 4

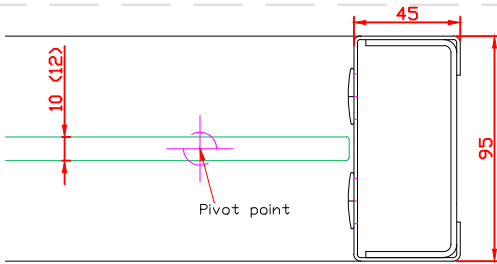


DoorTechnik
 SECURE DOOR SYSTEMS

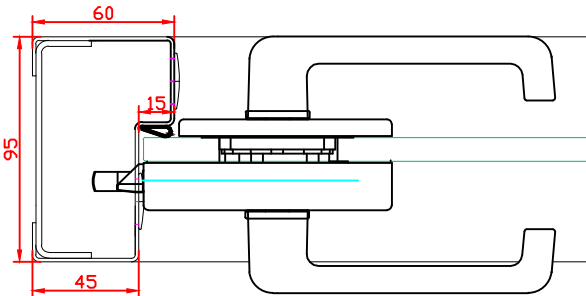
Moor Lane, Thorpe on the Hill, Lincoln, LN6 9BW
 Tel 01522 693522 Fax 01522 508494
 www.doortechnik.co.uk info@doortechnik.co.uk



Lock Jamb

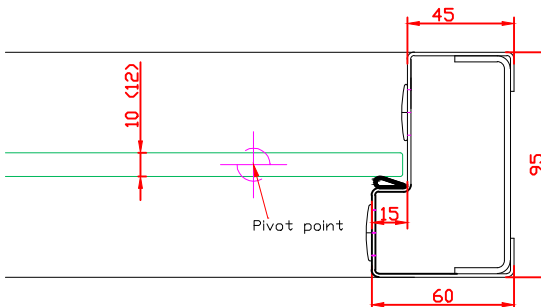


Hinge Jamb



Opposing rebates
for single action

Lock Jamb

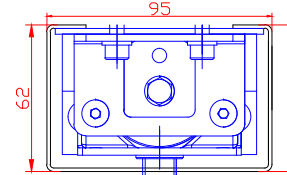


Opposing rebates
for single action

Hinge Jamb

REVISIONS			
REV	DESCRIPTION	DATE	APPROVED
A	Original	15/06/10	PM

Head Detail



Stainless Steel threshold

NOTES

This example shows Patches and transom closer

Frame is standard 95mm.

Glass 10mm or 12mm thick

TITLE

GL15 - Example single and double.

MATERIAL

Frame - 1.5mm Material

DWG NO.

Doorset Examples\GL15.dwg

DRAWN BY

PaulM

DATE

15/06/2010

REV

A

SCALE

None @A4

SHEET

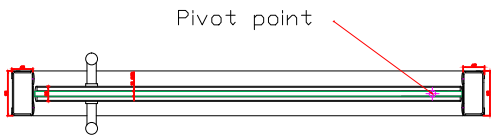
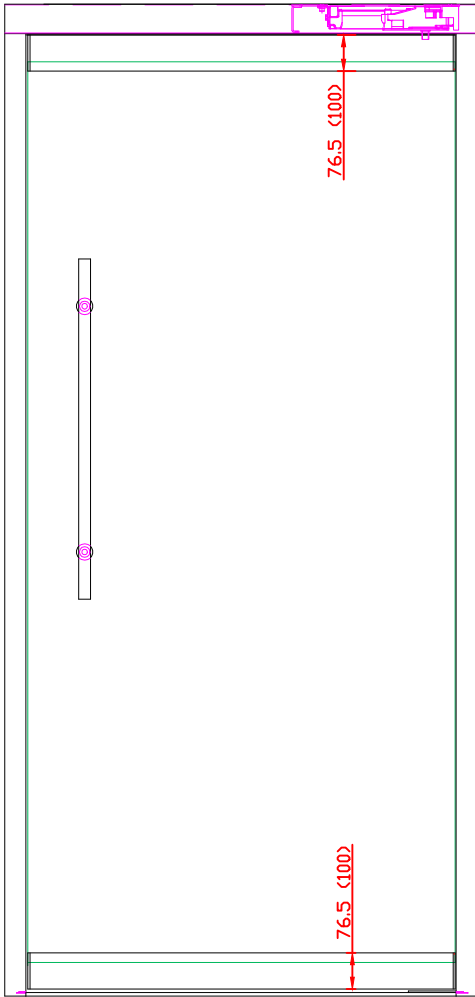
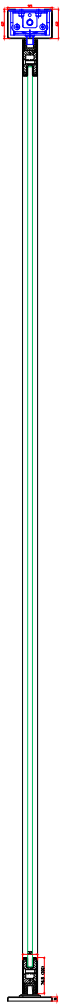
2 OF 4



DoorTechnik
SECURE DOOR SYSTEMS

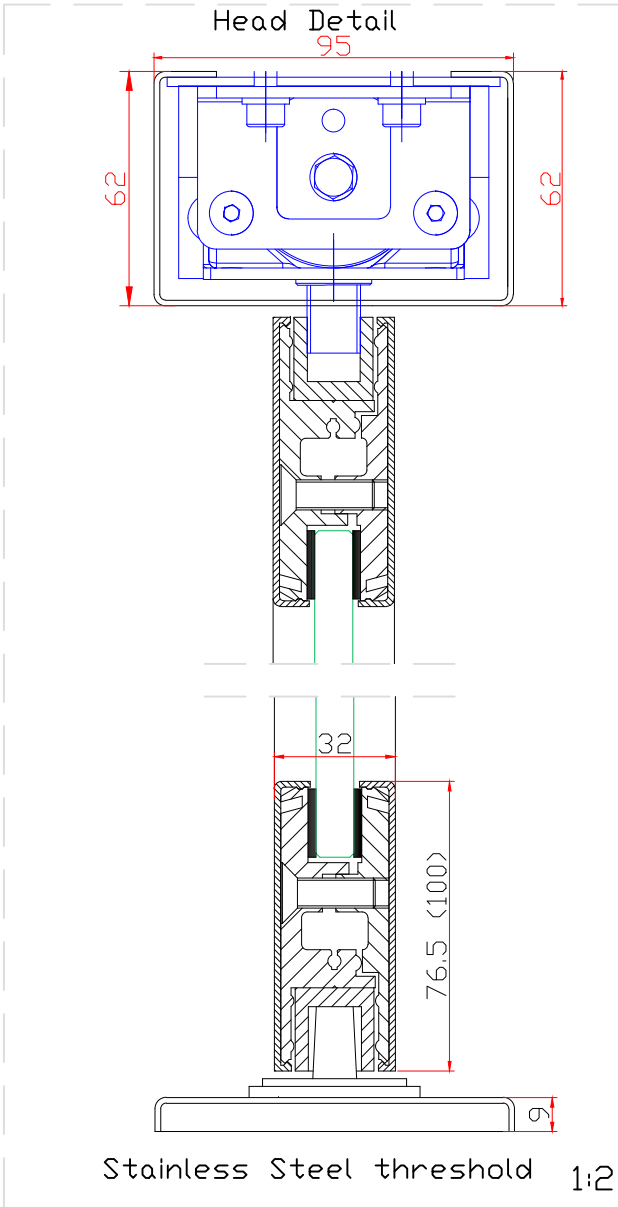
Moor Lane, Thorpe on the Hill, Lincoln, LN6 9BW
Tel 01522 693522 Fax 01522 508494
www.doortechnik.co.uk info@doortechnik.co.uk

REVISIONS			
REV	DESCRIPTION	DATE	APPROVED
A	Original	15/06/10	PM



Jamb

1:16



Stainless Steel threshold 1:2

NOTES
 This example shows Rails and transom closer
 Frame is standard 95mm.
 Glass 10mm or 12mm thick

TITLE
 GL15 - Example single and double.

MATERIAL
 Frame - 1.5mm Material

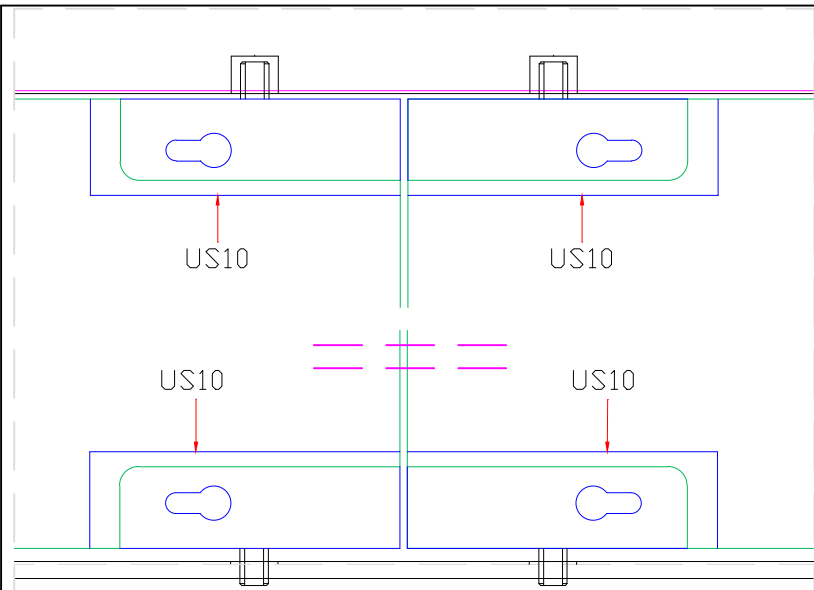
DWG NO.
 Doorset Examples\GL15.dwg

DRAWN BY PaulM	DATE 15/06/2010	REV A
-------------------	--------------------	----------

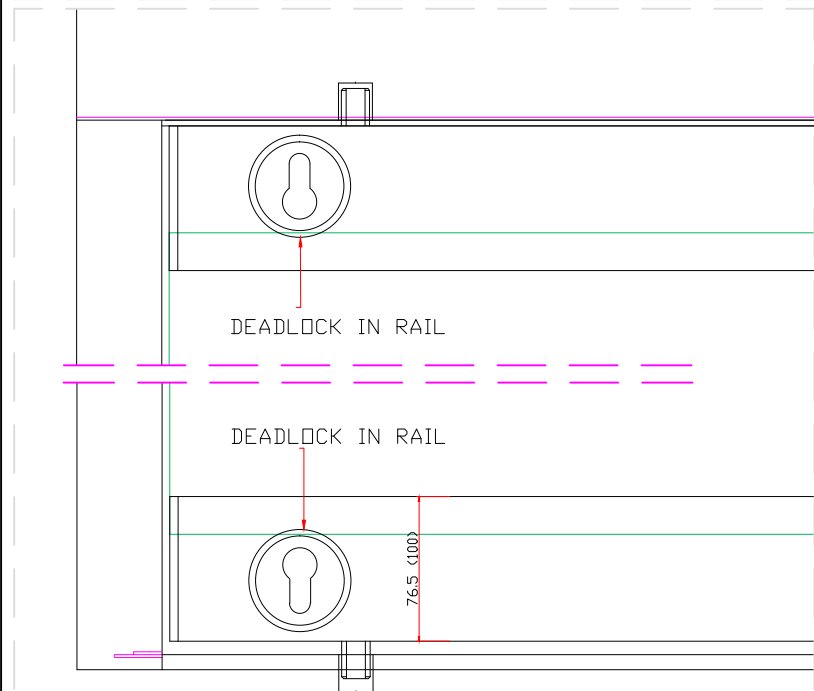
SCALE 1:16 1:2 @A4	SHEET 3 OF 4
-----------------------	-----------------

DoorTechnik
 SECURE DOOR SYSTEMS

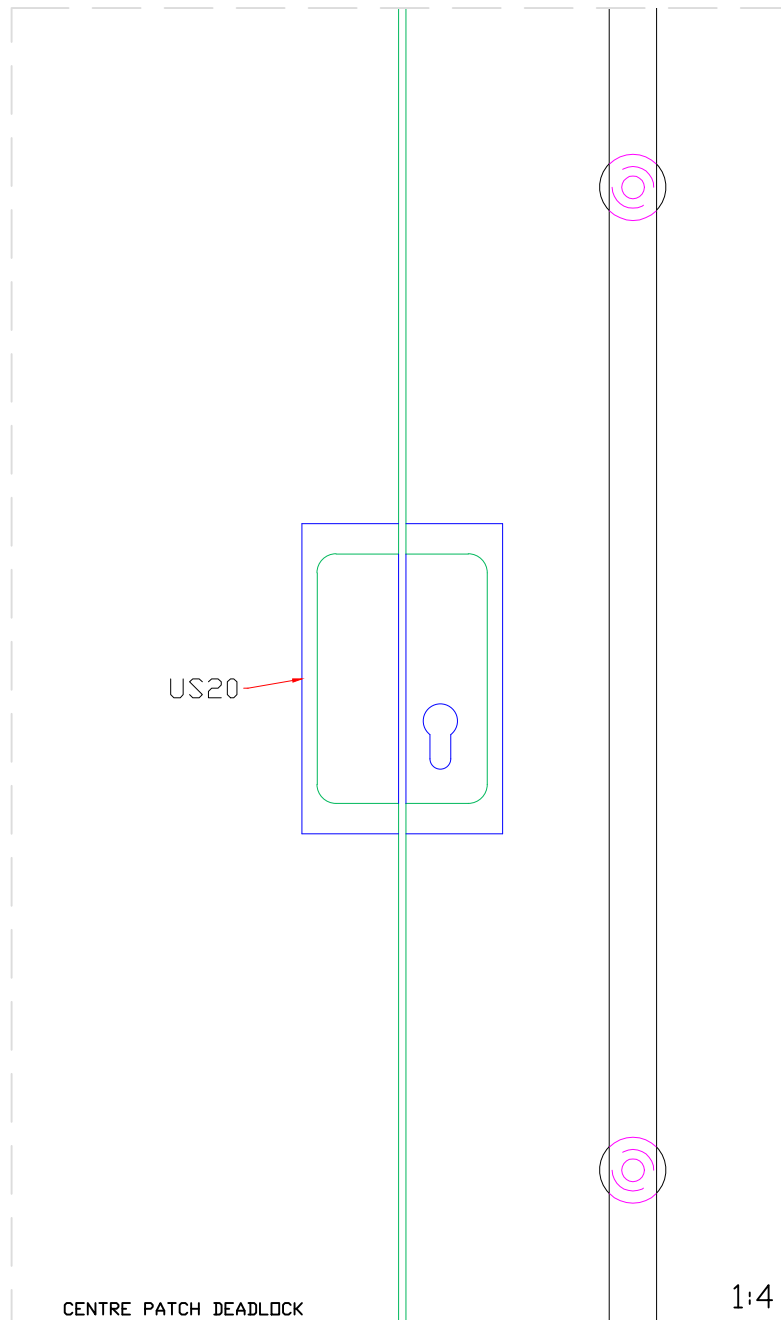
Moor Lane, Thorpe on the Hill, Lincoln, LN6 9BW
 Tel 01522 693522 Fax 01522 508494
 www.doortechnik.co.uk info@doortechnik.co.uk



TOP AND BOTTOM PATCH DEADLOCKS 1:4



TOP AND BOTTOM RAIL DEADLOCKS 1:4



CENTRE PATCH DEADLOCK 1:4

REVISIONS			
REV	DESCRIPTION	DATE	APPROVED
A	Original	15/06/10	PM

NOTES

Various locks
 Frame is standard 95mm.
 Glass 10mm or 12mm thick

TITLE

GL15 - Example single and double.

MATERIAL

Frame - 1.5mm Material

DWG NO.

Doorset Examples\GL15.dwg

DRAWN BY

PaulM

DATE

15/06/2010

REV

A

SCALE

1:4 @A4

SHEET

4 OF 4



DoorTechnik
 SECURE DOOR SYSTEMS

Moor Lane, Thorpe on the Hill, Lincoln, LN6 9BW
 Tel 01522 693522 Fax 01522 508494
 www.doortechnik.co.uk info@doortechnik.co.uk