

# Installation Instructions

## SG20 single doorsets, on hinges, Presto 50

To install DoorTechnik doorsets correctly and safely, please read these instructions before starting the installation.

Fire rated doorsets must be packed as described in Step 5b, and sealed as described in Step 12 to comply with the as-tested fire certification.

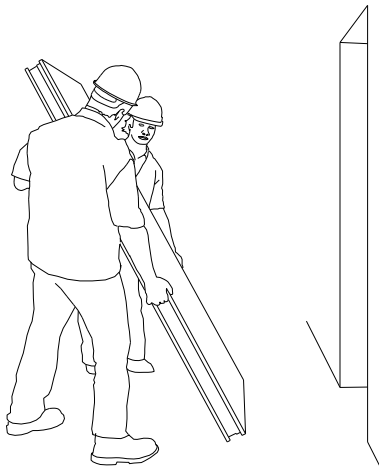


# DoorTechnik

SECURE DOOR SYSTEMS

Tel 01522 693522

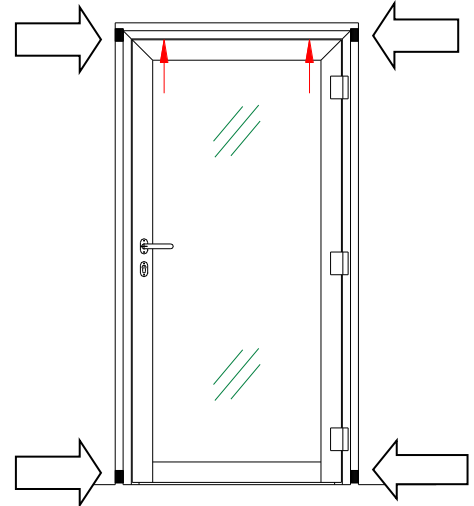
www.doortechnik.co.uk



### 1. Place the complete doorset in the opening.

Note that if the door leaf is removed to aid handling of very heavy or oversize doors, it can be difficult to correctly realign the door leaf and frame later in the installation process.

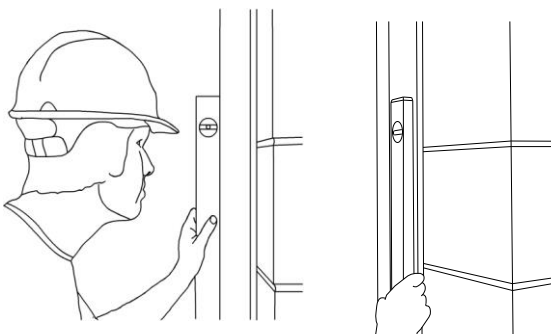
**Weight warning: comply with local manual handling guidelines.**



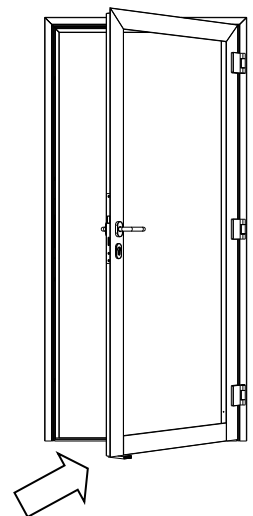
### 2. Align and wedge the frame into the opening, using temporary packers at the corners.

If the floor is not level, fit packers under the jambs.

Checking the gap indicated, ensure that the door head is parallel to the frame head.

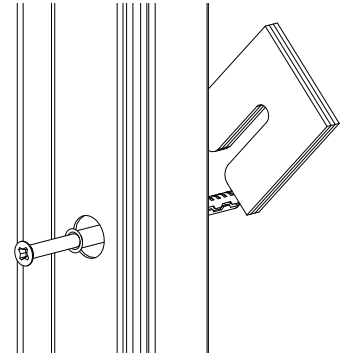
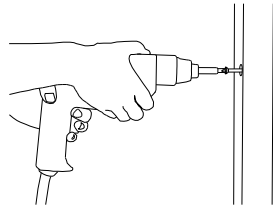
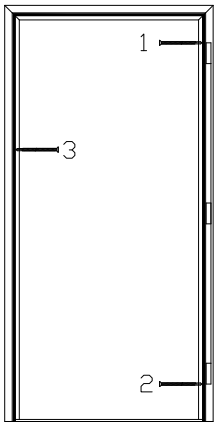


### 3. Ensure that the frame is vertical in both planes, particularly the hinge jamb, and that the door head is still parallel to the frame head.



### 4. Open the door carefully to approx. 45°, taking care not to disturb the frame, then temporarily pack the lock edge of the door leaf off the floor, keeping the hinge jamb vertical.

Discard the transit packers taped to the door edges.

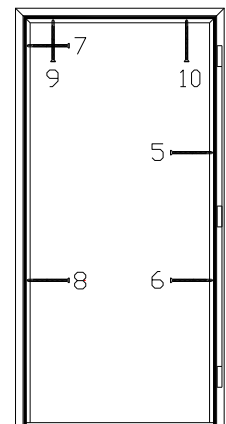
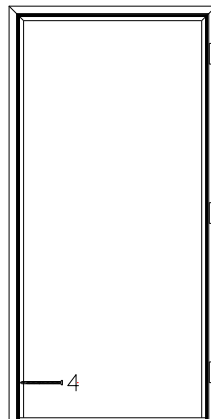
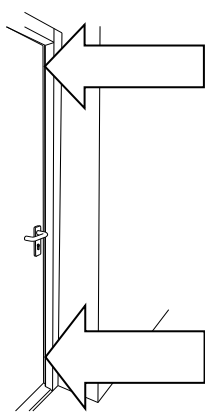


**5a.** First fix in the sequence shown, with 2 fixings in the hinge jamb and 1 in the lock jamb.

- For steel, use ITW Buildex TFL 80 or similar.
- For masonry, use Rawl frame fixings 8x100 or similar.

**5b.** The frame fixings need to pass through permanent packers. This is best achieved by loosely securing each frame fixing into the wall, then hammering packers into position on the fixing, before fully tightening the fixing.

**Steel packers must be used for fire rated doors.**



**6.** With the door nearly closed, check the alignment between the lock edge of the door and the frame seal, at both the top and the bottom of the door.

Pivot the lock jamb about the central fixing to achieve an even gap between the face of the door and the frame seal, then fit the 4th fixing into the bottom of the hinge jamb

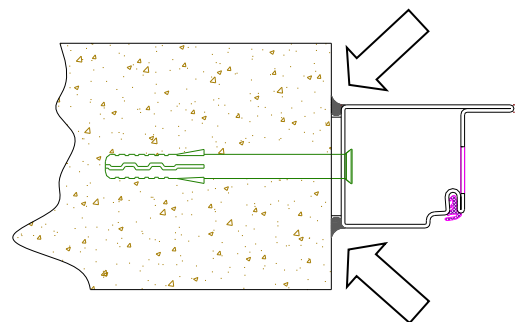
**7.** Check the door to frame alignments again. If they are still ok, fit the remaining frame fixings in the sequence shown. If not, remove some fixings and start again at Step 3.

**8.** Remove the temporary threshold, then fit 5mm plastic blanking plugs into the empty screw holes at the bottom of the jambs.

**9.** Check operation of all locking mechanisms.

**10.** Adjust any door closers to suit the on-site requirements. Refer to separate instruction sheet for full details.

**11.** Adjust the drop seal if fitted



**12.** Apply mastic seals between the frame and the building.

Fire rated doorsets must be sealed as shown, all round the frame, using either:

- Siroflex Flameguard
- Gluske Kerafix

or similar fire retardant silicones.