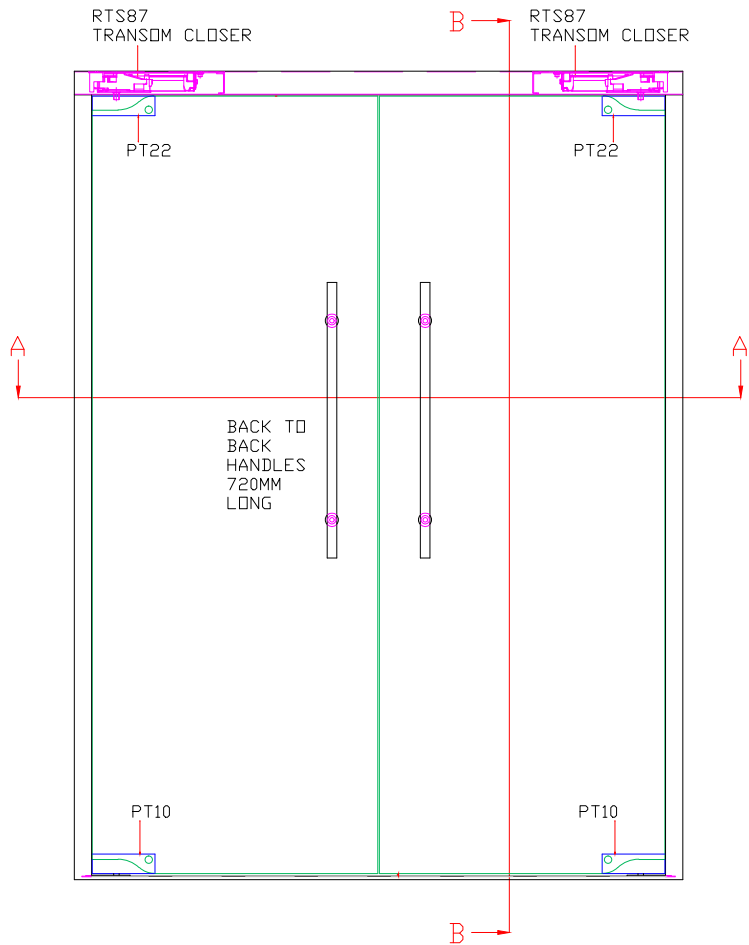
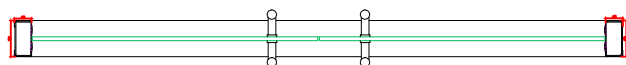


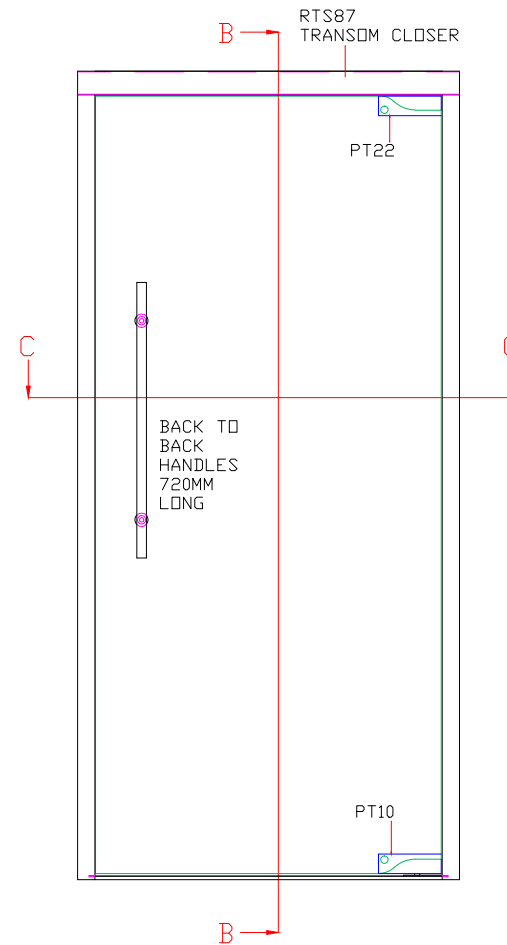
REVISIONS			
REV	DESCRIPTION	DATE	APPROVED
A	Example GL15	04/06/2014	-



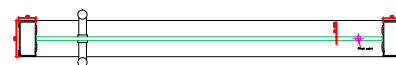
Pull side view
Double Door



Section A-A



Pull side view
Single Door



Section C-C



Section B-B

NOTES

This example shows Patches and transom closer
 Frame is standard 95mm.
 Glass 10mm or 12mm thick
 Various handles available

TITLE

GL15 - Example single and double.

MATERIAL

Frame - 1.5mm Material

DWG NO.

Doorset Examples\GL15.dwg

DRAWN BY	DATE	REV
JR	04/06/2014	A

SCALE	SHEET
N.T.S	1 OF 4



DoorTechnik
 SECURE DOOR SYSTEMS

Moor Lane, Thorpe on the Hill, Lincoln, LN6 9BW
 Tel 01522 693522 Fax 01522 508494
 www.doortech.co.uk info@doortech.co.uk

Disclaimer:

Drawing is indicative of standard model range, and features may differ for production doorsets. If particular performance criteria or features are important to your project, please call us to discuss your requirements.

REVISIONS			
REV	DESCRIPTION	DATE	APPROVED
A	Example GL15	04/06/2014	-

NOTES

This example shows Patches and transom closer
 Frame is standard 95mm.
 Glass 10mm or 12mm thick

TITLE

GL15 - Example single and double.

MATERIAL

Frame - 1.5mm Material

DWG NO.

Doorset Examples\GL15.dwg

DRAWN BY	DATE	REV
JR	04/06/2014	A

SCALE	SHEET
N.T.S	2 OF 4

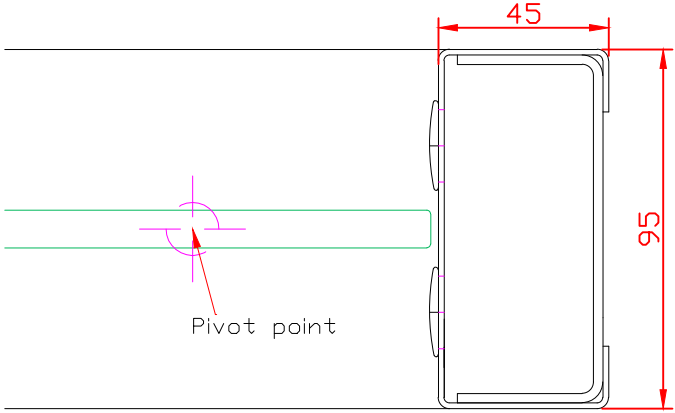


DoorTechnik
SECURE DOOR SYSTEMS

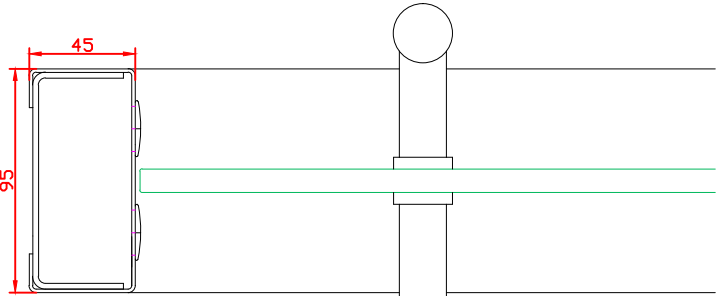
Moor Lane, Thorpe on the Hill, Lincoln, LN6 9BW
 Tel 01522 693522 Fax 01522 508494
 www.doortechnik.co.uk info@doortechnik.co.uk

Disclaimer:

Drawing is indicative of standard model range, and features may differ for production doorsets. If particular performance criteria or features are important to your project, please call us to discuss your requirements.

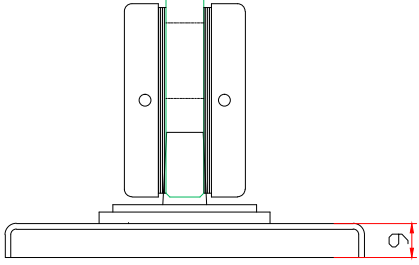
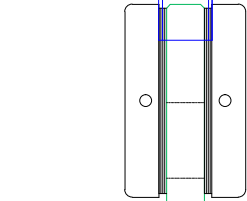
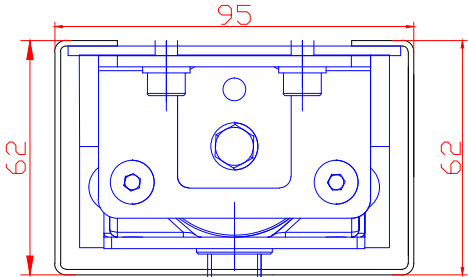


Jamb



Jamb

Head Detail



Stainless Steel threshold

REVISIONS			
REV	DESCRIPTION	DATE	APPROVED
A	Example GL15	04/06/2014	-

NOTES

This example shows Rails and transom closer
 Frame is standard 95mm.
 Glass 10mm or 12mm thick

TITLE

GL15 - Example single and double.

MATERIAL

Frame - 1.5mm Material

DWG NO.

Doorset Examples\GL15.dwg

DRAWN BY	DATE	REV
JR	04/06/2014	A

SCALE	SHEET
N.T.S	3 OF 4

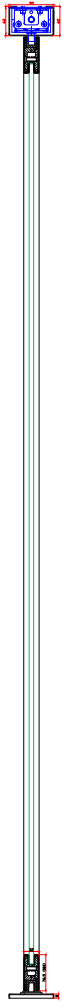


DoorTechnik
 SECURE DOOR SYSTEMS

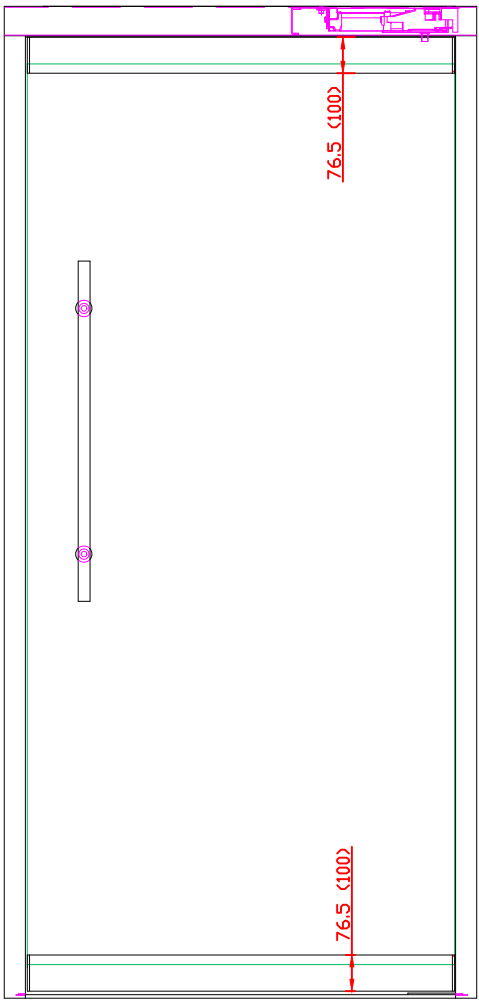
Moor Lane, Thorpe on the Hill, Lincoln, LN6 9BW
 Tel 01522 693522 Fax 01522 508494
 www.doortech.co.uk info@doortech.co.uk

Disclaimer:

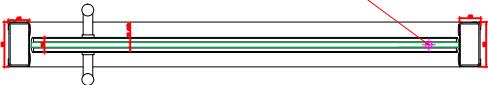
Drawing is indicative of standard model range, and features may differ for production doorsets. If particular performance criteria or features are important to your project, please call us to discuss your requirements.



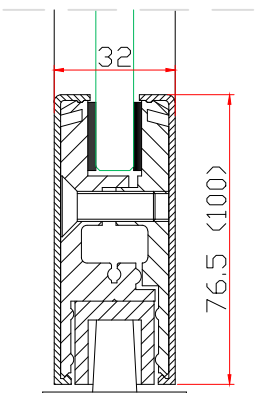
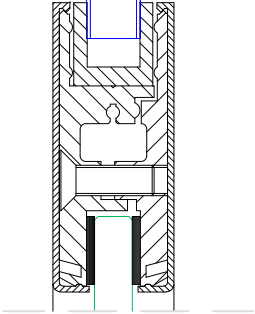
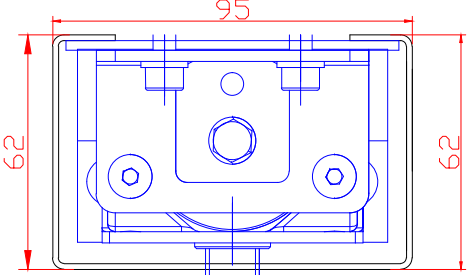
Jamb



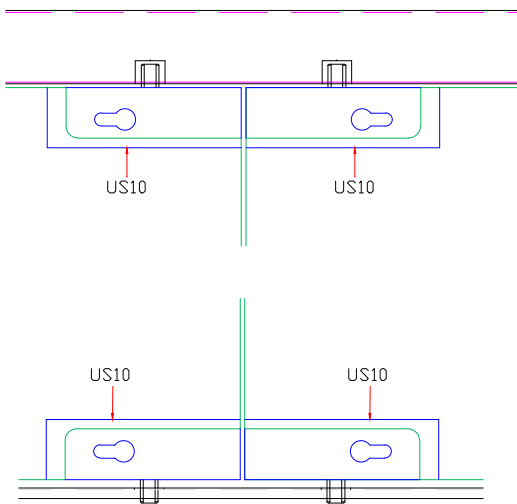
Pivot point



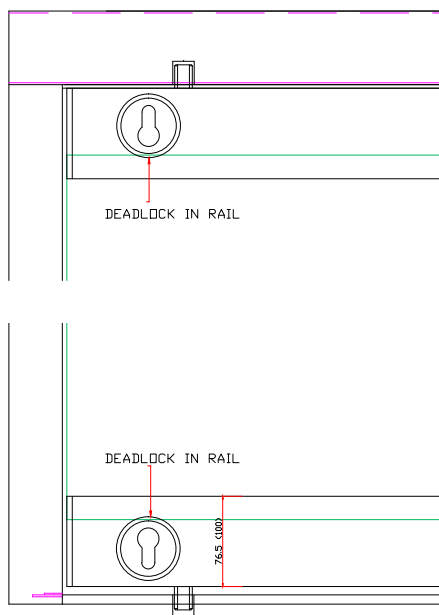
Head Detail



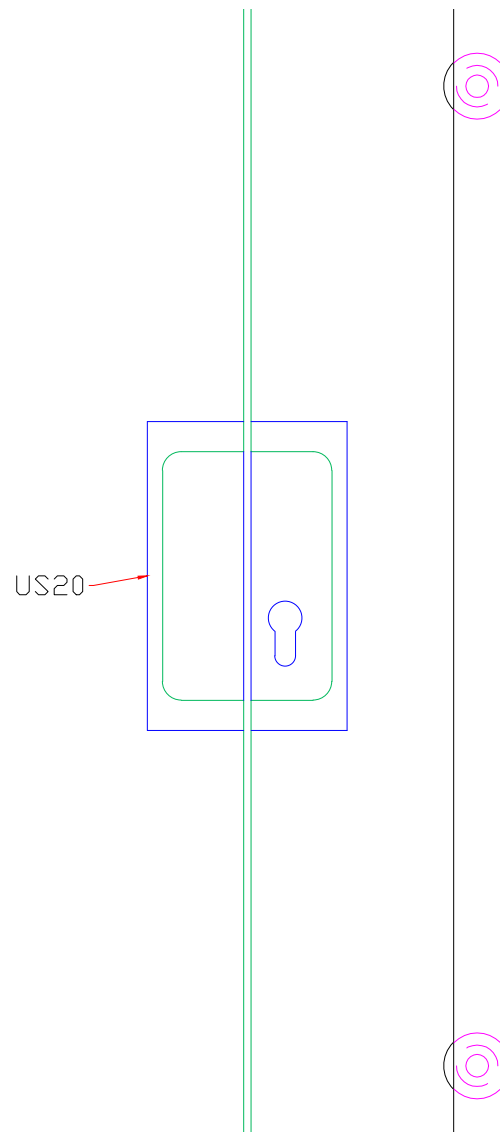
Stainless Steel threshold



TOP AND BOTTOM PATCH DEADLOCKS



TOP AND BOTTOM RAIL DEADLOCKS



CENTRE PATCH DEADLOCK

REVISIONS			
REV	DESCRIPTION	DATE	APPROVED
A	Example GL15	04/06/2014	-

NOTES

Various locks
 Frame is standard 95mm.
 Glass 10mm or 12mm thick

TITLE

GL15 - Example single and double.

MATERIAL

Frame - 1.5mm Material

DWG NO.

Doorset Examples\GL15.dwg

DRAWN BY

JR

DATE

04/06/2014

REV

A

SCALE

N.T.S

SHEET

4 OF 4



DoorTechnik
 SECURE DOOR SYSTEMS

Moor Lane, Thorpe on the Hill, Lincoln, LN6 9BW
 Tel 01522 693522 Fax 01522 508494
 www.doortechnik.co.uk info@doortechnik.co.uk

Disclaimer:

Drawing is indicative of standard model range, and features may differ for production doorsets. If particular performance criteria or features are important to your project, please call us to discuss your requirements.